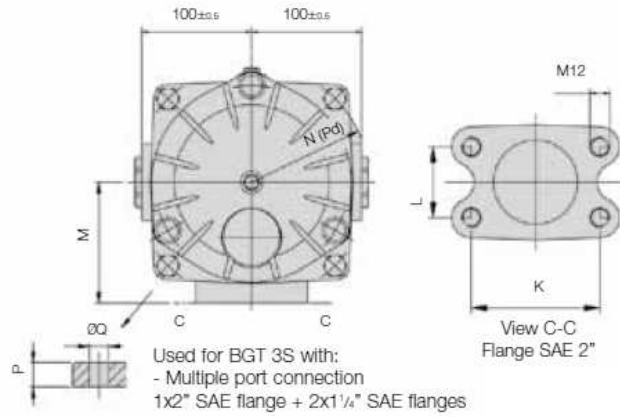
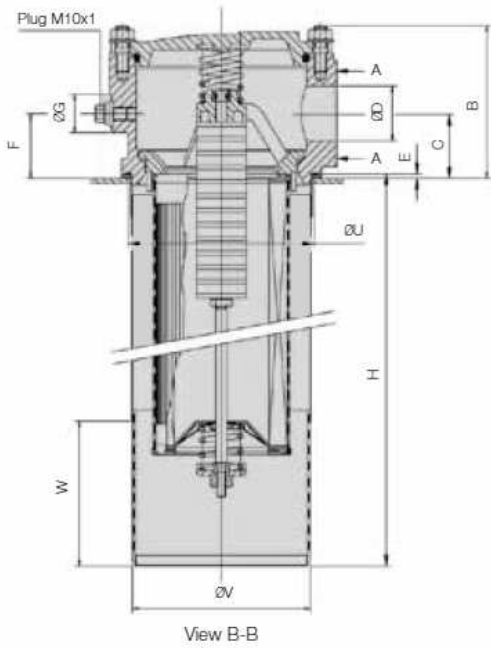
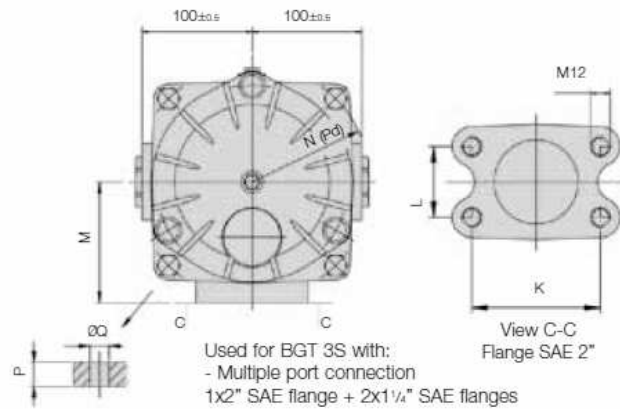
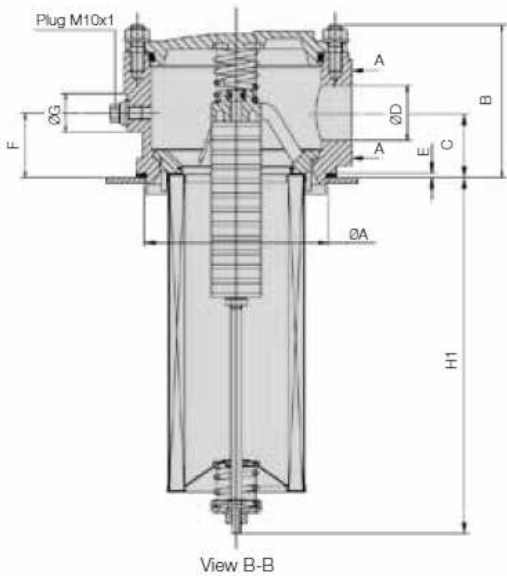


## with diffuser



BGT length		B	C	D	E	F	G	H	K	L	M	N(Pd)	P	Q	R	S	U	V	W	Kg.
11	BGT390	131	55	50	3	55	35	350	78	43	110	R107.5	15	13	16	3	166 <sup>+0.5</sup>	165	120	7.2
12	BGT500							540												8.6

## without diffuser



BGT length		A	B	C	D	E	F	G	H1	K	L	M	N(Pd)	P	Q	R	S	Kg.
11	BGT390	166.5 <sup>+0.5</sup>	131	55	50	3	55	35	325	78	43	110	R107.5	15	13	16	3	7.2
12	BGT500								515									8.6